



iota international

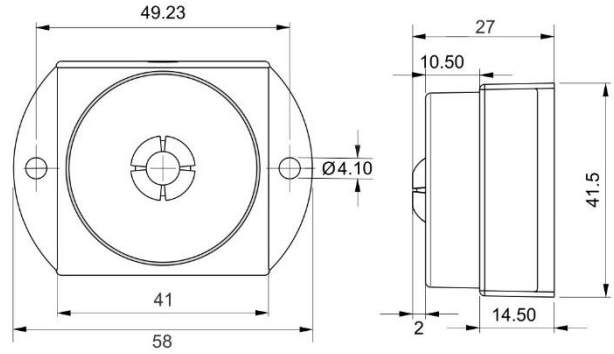


The Leading Manufacturer & Exporter of Electronic Products & Accessories Since 1996

B-47, East Uttam Nagar, New Delhi-110059 (INDIA) Contact no. 011-28566590 9810021697 sales@iota.in

Electronic Siren, Emergency Panic Switches, Panic Alarm, LED Light, SMPS & Accessories

SPECIFICATION OF PIEZO SIREN BPR113



All dimension are in mm tolerance $\pm 0.2\text{mm}$

- Product : Piezo Siren Beeper
- Model Number : BPR113
- Tone : Continuous Tone
- Operating Voltage : 10 ~ 15 Volt DC (Typically 12Volt DC)
- Current : 20mA (at 12Volt DC)
- Sound level : 70dB at 1 Meter Distance (at 12Volt DC)
- Operating Temperature : 0° C to +50° C
- Material of Housing : ABS 300
- Color : Black
- Weight : 55 Gm (approximately with packing)
- Dimension : 58mm x 41.5mm x 27mm
- Warranty : One year against any manufacturing defects

Important Notes:

Tones : We can provide all type international and Indian standard Siren/Alarm tones along with customized tones.

Voltage : This product is also available in 6V / 9V / 12V/ 18V / 24V DC & 220V AC

We also welcome Customer's Design & Specifications, For more Product Log on www.iotasiren.com

