



iota international

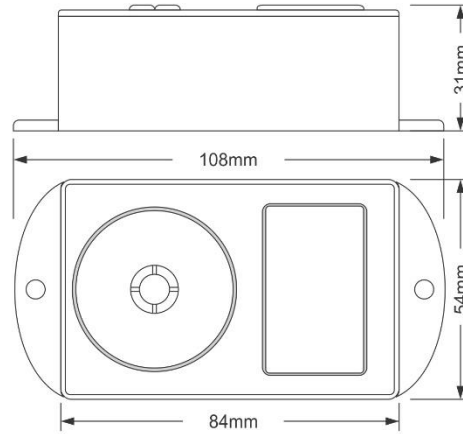


The Leading Manufacturer & Exporter of Electronic Products & Accessories Since 1996

B-47, East Uttam Nagar, New Delhi-110059 (INDIA) Contact no. 011-28566590 9810021697 sales@iota.in

Electronic Siren, Emergency Panic Switches, Panic Alarm, LED Light, SMPS & Accessories

SPECIFICATION OF H2 WATER OVERFLOW ALARM



All Dimension are in mm tolerance ±0.2mm

- Product : Water Overflow Alarm
- Model Number : H2
- Tone : Beep Tone
- Operating Voltage : 220Volt AC
- Current : 15mA (at 220Volt DC)
- Sound level : 100dB ±2dB at 1 Meter Distance
- Operating Temperature : 0° C to +60° C
- Continuous Operation : Maximum for 30 Minutes at normal room Temperature.
(After 30 min. of continuous operation, cooling is required to avoid extreme heat)
- Material of Housing : ABS 300
- Color : Black
- Dimension : 108mm X 31mm x 54mm
- Weight : 100 Gm (approximately with packing)
- Warranty : One years against any manufacturing defects

Important Notes:

- Tones** : We can provide all type international and Indian standard Siren/Alarm tones along with customized tones.
- Voltage** : This product is also available in 6V / 9V / 12V/ 18V / 24V DC & 220V AC

We also welcome Customer's Design & Specifications, For more Product Log on www.iotasiren.com

