



iota international

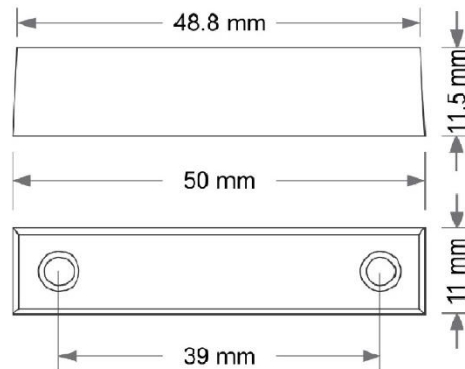


The Leading Manufacturer & Exporter of Electronic Products & Accessories Since 1996

B-47, East Uttam Nagar, New Delhi-110059 (INDIA) Contact no. 011-28566590 9810021697 sales@iota.in

Electronic Siren, Emergency Panic Switches, Panic Alarm, LED Light, SMPS & Accessories

SPECIFICATION OF MAGNETIC CONTACTS IOTA403



All dimension are in mm tolerance ± 0.2 mm

- Product : Magnetic Contacts
- Model No : iota403
- Surface mount switches with screw and Adhesive tape (optional) mounting
- Bar type for easy mounting
- 12" long wire leads
- Operating gap 20mm
- Color : White/Brown

Important Notes:

Tones : We can provide all type international and Indian standard Siren/Alarm tones along with customized tones.

Voltage : This product is also available in 6V / 9V / 12V/ 18V / 24V DC & 220V AC

We also welcome Customer's Design & Specifications, For more Product Log on www.iotasiren.com

